

**Legend:**

- Power
- Power Input
- Power Output
- Ground
- GPIO Digital External
- Analog External
- Main Part
- Secondary Part
- Internal Component
- Other Pins (Reset, System Control, Debugging)
- I2C
- SPI
- UART/USART
- Other SERIAL Communication
- Analog
- PWM/Timer
- LED
- RGB LED
- Other

**MAXIMUM** current per I/O pin is 20mA

**MAXIMUM** current per +3.3V pin is 50mA

VIN 6-20V input to the board

CPU/COPI have previously been referred to as MISO/MOSI

UNO R3 BOARD ARDUINO

SKU code: A000066  
 Full Pinout - Page 1 of 5  
 Last update: 6 Oct, 2022

DOCS - ARDUINO . CC BY SA

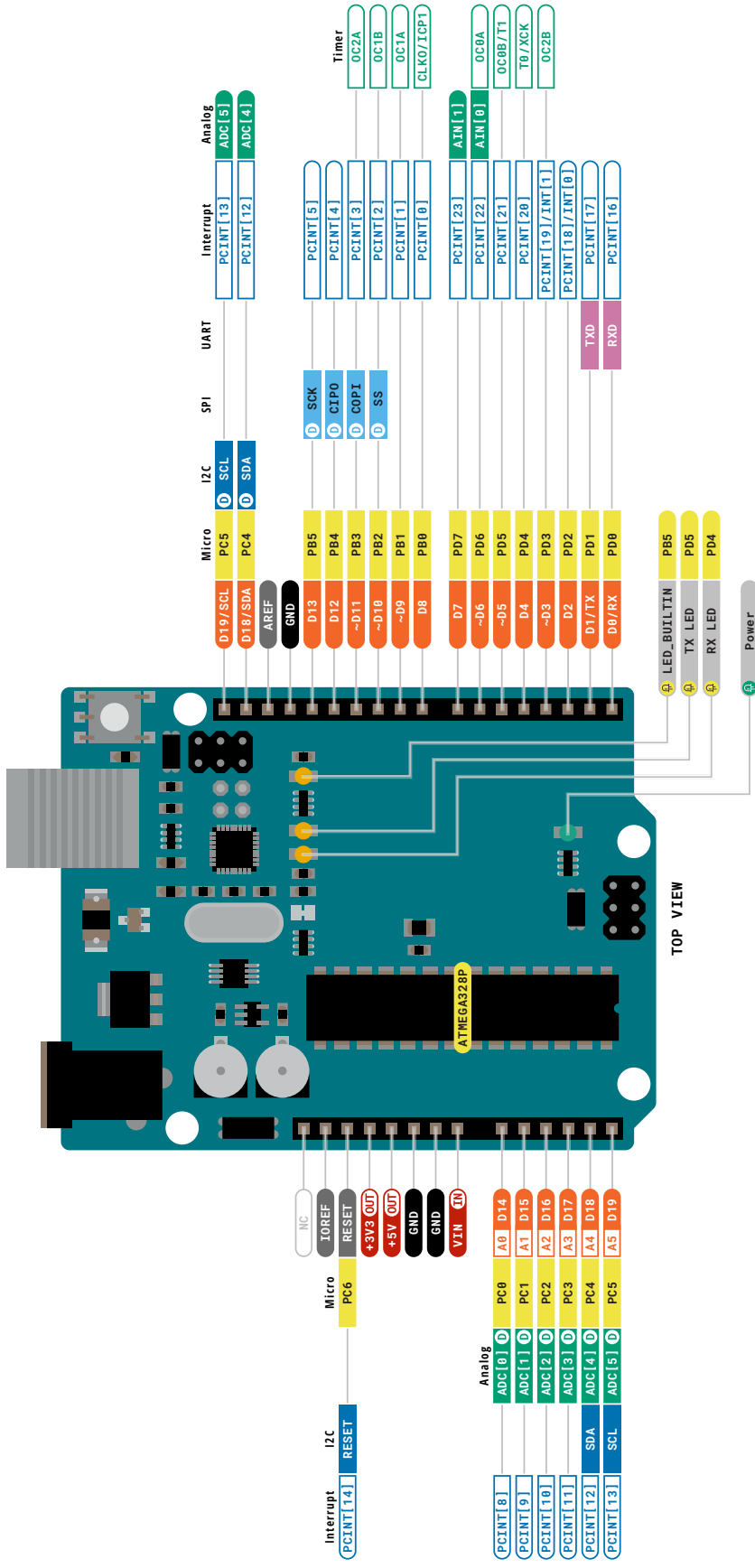
This work is licensed under Attribution-ShareAlike 4.0 International. For more information, see <https://creativecommons.org/licenses/by-sa/4.0/>

**WARNING!**

## **Advanced Section**

The following information is for advanced use only and may not be officially supported by Arduino software





**UNO R3 BOARD ARDUINO**

SKU code: A000066  
 Full Pinout - Page 3 of 5  
 Last update: 6 Oct, 2022

DOCS - ARDUINO . CC BY SA

**MAXIMUM** current per I/O pin is 20mA  
**MAXIMUM** current per +3.3V pin is 50mA  
 VIN 6-20V input to the board  
 CPO/COPI have previously been referred to as MISO/MOSI

**LED**  
 LED  
 RGB LED  
 Other

**I2C**  
 Default

**SPI**  
 Default

**UART/USART**  
 Default

**Other SERIAL Communication**  
 Default

**Analog**  
 PWM/Timer

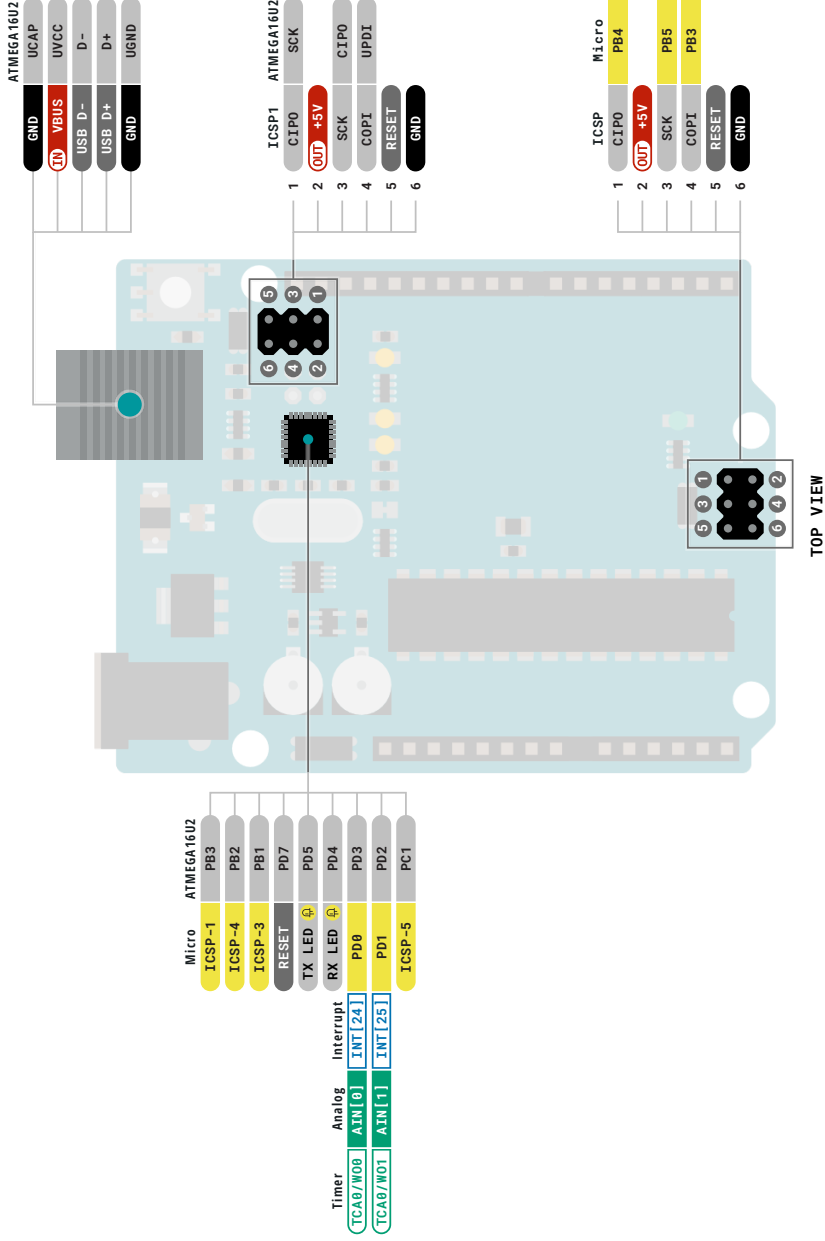
**GPIO Digital External**  
 Power Input  
 Power Output

**Analog External**  
 Main Part  
 Secondary Part  
 Internal Component

**Other Pins (Reset, System Control, Debugging)**  
 Other Pins (Reset, System Control, Debugging)

**Legend:**  
 Power  
 Ground

This work is licensed under Attribution-ShareAlike 4.0 International. For more information, see <https://creativecommons.org/licenses/by-sa/4.0/>.  
 Full Pinout - Page 3 of 5  
 Last update: 6 Oct, 2022




**Legend:**  
■ Power  
■ Ground  
■ I2C  
■ SPI  
■ UART/USART  
■ Other SERIAL Communication  
■ Analog  
■ PWM/Timer

■ GPIO Digital External  
■ Analog External  
■ Main Part  
■ Secondary Part  
■ Internal Component  
■ Other Pins (Reset, System Control, Debugging)

Ⓞ Default  
Ⓞ Default  
Ⓞ Default  
Ⓞ Other SERIAL Communication  
Ⓞ Default

Ⓞ LED  
Ⓞ RGB LED  
Ⓞ Other

**⚠️** MAXIMUM current per I/O pin is 20mA  
**⚠️** MAXIMUM current per +3.3V pin is 50mA  
**ⓘ** VIN 6-20V input to the board  
**ⓘ** CIP0/COPI have previously been referred to as MISO/MOSI




**ARDUINO**

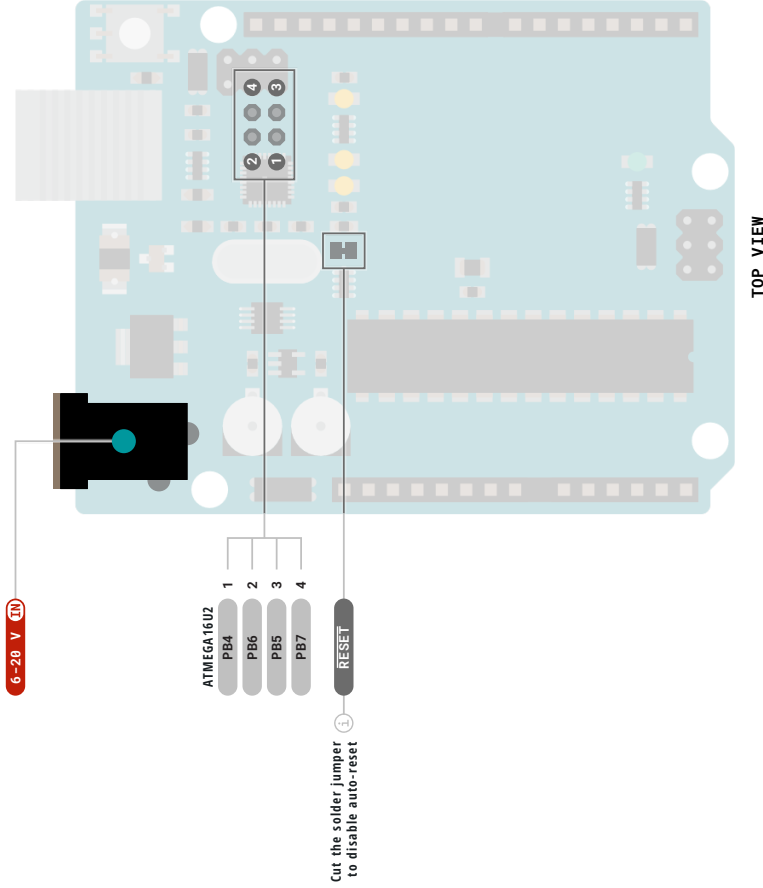
**UNO R3**  
BOARD

SKU code: A000066  
 Full Pinout - Page 4 of 5  
 Last update: 6 Oct, 2022

DOCS-ARDUINO.CC



This work is licensed under Attribution-ShareAlike 4.0 International. For more information, see the full text of this license, visit <http://creativecommons.org/licenses/by-sa/4.0/> or contact Creative Commons, 170 Bow St, Mountain View, CA 94042, USA.



**Legend:**

- Power
- ON Power Input
- OFF Power Output
- Ground

- GPIO Digital External
- Analog External
- Main Part
- Secondary Part
- Internal Component
- Other Pins (Reset, System Control, Debugging)

- LED LED
- RGB LED
- Other

- ⚠ **MAXIMUM** current per I/O pin is 20mA
- ⚠ **MAXIMUM** current per +3.3V pin is 50mA
- ⓘ **VIN** 6-20V input to the board
- ⓘ CIP0/COPI have previously been referred to as MISO/MOSI



SKU code: A000066  
Full Pinout - Page 5 of 5  
Last update: 6 Oct, 2022



This work is licensed under Attribution-ShareAlike 4.0 International. To view a copy of this license, visit <http://creativecommons.org/licenses/by-sa/4.0/> or send a letter to Creative Commons, 170 Bow St, Mountain View, CA 94042, USA.